

voltage divider 1:20000
 5Vp-p +/-10% => 250µVp-p +/-10%
 250µVpp +/-10%, 0.1 .. 100Hz
 Square wave Calibration Signal

PD5 is PWM output
 for cal-signal

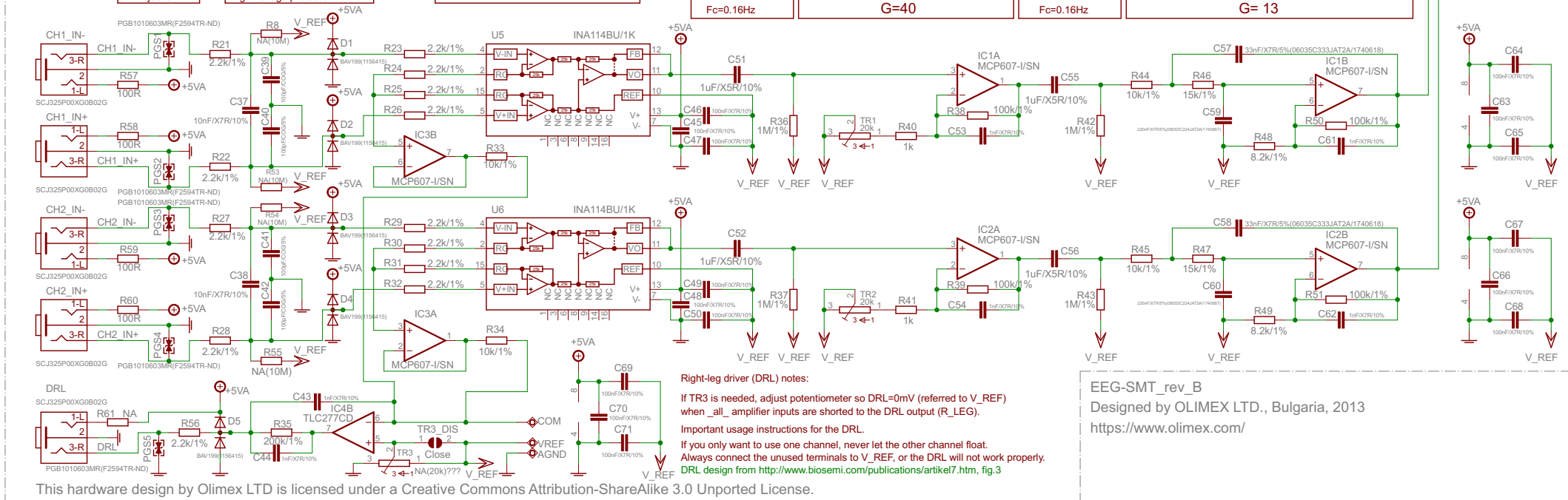
Instrumental Amplifier
 G=12.36

High-Pass filter
 1 pole
 $F_c=0.16\text{Hz}$

Non-Inverter Amplifier
 G=11..101
 G=40

High-Pass filter
 1 pole
 $F_c=0.16\text{Hz}$

3rd order "Besselworth" filter, $f_c = 59\text{Hz}$.
 The 3rd pole is located on the digital part.
 G= 13



Right-leg driver (DRL) notes:
 If TR3 is needed, adjust potentiometer so DRL=0mV (referred to V_REF)
 when all amplifier inputs are shorted to the DRL output (R_LEG).
 Important usage instructions for the DRL.
 If you only want to use one channel, never let the other channel float.
 Always connect the unused terminals to V_REF, or the DRL will not work properly.
 DRL design from <http://www.biosemi.com/publications/artikel7.htm>, fig.3

EEG-SMT_rev_B
 Designed by OLIMEX LTD., Bulgaria, 2013
<https://www.olimex.com/>